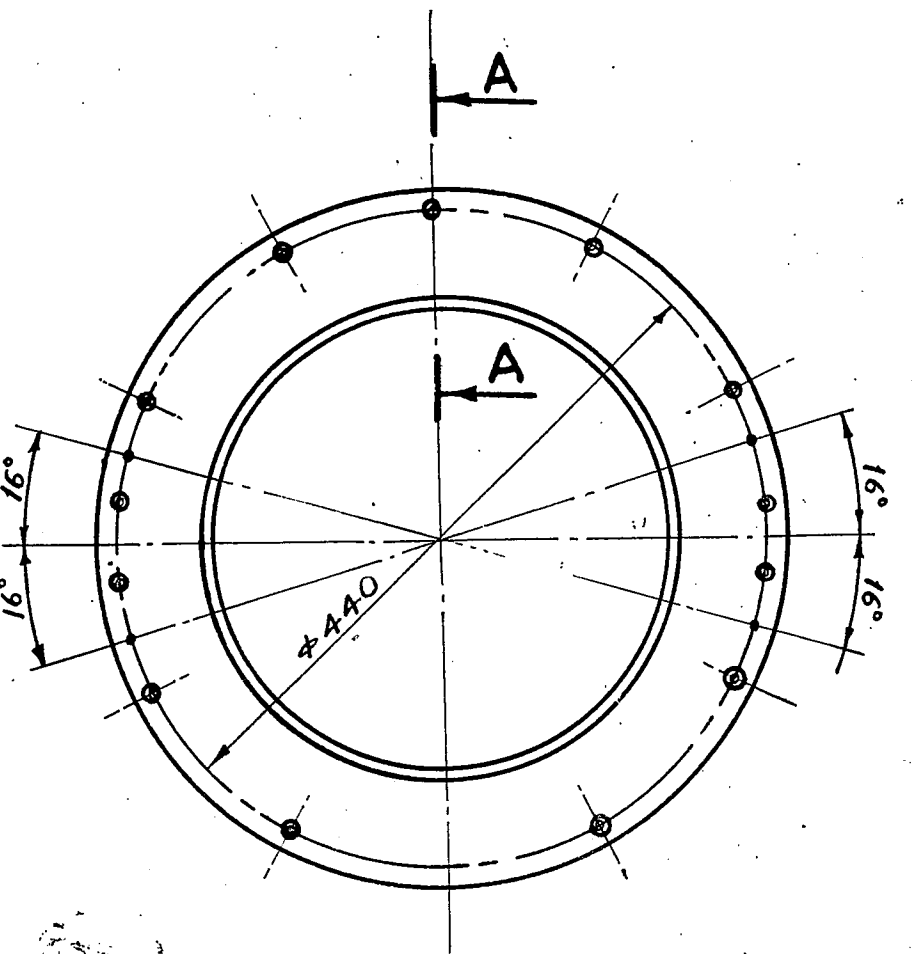
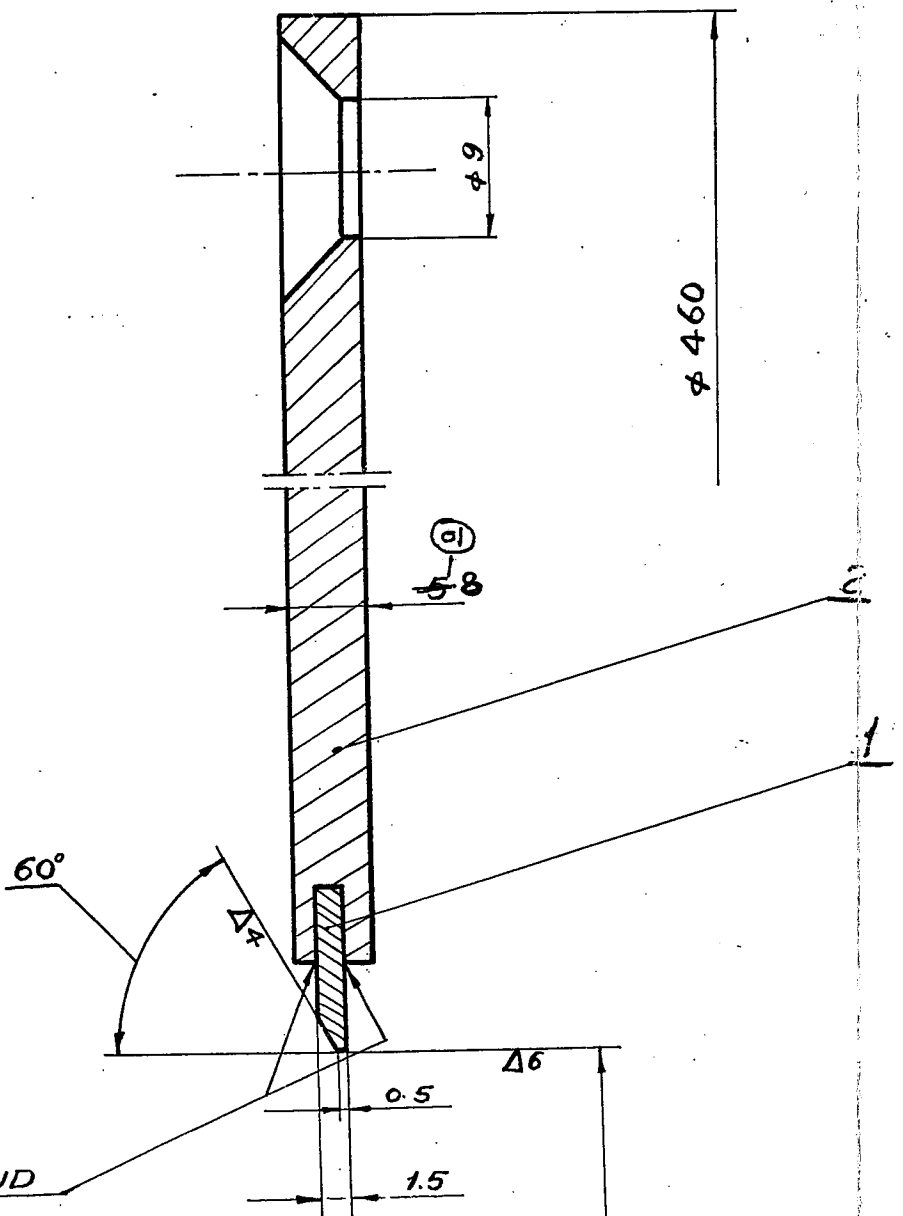


32423010

**SECTION A-A**

SCALE 2:1



ETI PPTI PAKAT

INVENTORY NO.	51-7348	SIGN AND DATE	28/11/72	SUPERSEDED INVENTORY NO.		DUPLICATE INVENTORY NO.		SIGN AND DATE		CHARGE NO. (USSR)	F/229068	GROUP ST. (ASSEMBLY)	13/302
---------------	---------	---------------	----------	--------------------------	--	-------------------------	--	---------------	--	-------------------	----------	----------------------	--------

ITEM NO.	DESIGNATION	DESCRIPTION	QTY.	PER/PL WEIGHT	TOTAL WEIGHT	MATERIAL	REMARKS
2	32423011	OIL GUARD RING	1	4.96	4.96	STEEL	
	1229076	IN TWO HALVES	2	3.70	7.40	St 42-S 15.226-62	
1	0614.941	SEALING STRIP 147	6	0.025	0.15	BRASS BS 6315:410-50	
	PH 359-57		12	0.30	3.60	AL 62 60ST 931-52	
						C-200-130	32423000 SP
						OIL GUARDRING	32423010
						(IN TWO HALVES)	
						LETTER	WEIGHT
						B @	3.256
						SHEET	TOTAL SHEETS
						1	1
						HELP	STD

CHG	NOS.	DOCUMENT NO.	SIGN	DATE
WORKED		P. SINGH	P. SINGH	14.3.72
CHECKED		P. SINGH	P. SINGH	14.3.72
SUPERVISED				
CONTROL		J. N. KARAN	J. N. KARAN	25.3.72
APPROVED				